



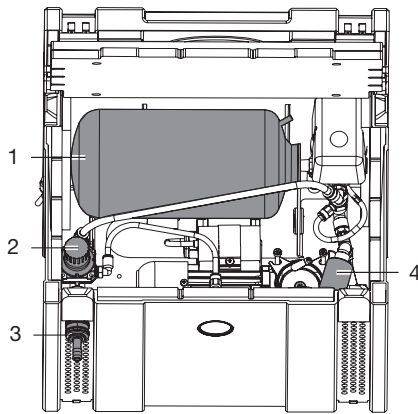
Silent Air System SAS



This supplementary sheet is an addition to the operating manual "oil-free compressor stations" and contains all the information required for safe handling. The operating manual applies only to the version of the unit described here.



1 Scope of delivery



The Silent Air System (hereafter called "unit") is ready-to-plug-in compressor station which is operated with sound insulation in an actively ventilated housing.

The unit consists of the following components:

- 3-liter pressurer receiver (1)
- Starting-relief valve
- Control gear with safety valve, check valve and pressure switch
- Automatical condensate-drain valve
- Pressure reducer (2) for adjusting the operating pressure
- Quick-release coupling with plug-in nozzle (3)
- Fan
- Air intake filter (4)

2 Working parts and spare parts



For spare parts not listed here, please enquire at Dürr Technik.

The following spare parts must be replaced regularly (see also "7.1 Changing the filter")

Air intake filter 0837-001-00



3 Technical data

3.1 Technical Data SAS 230 V

		SAS- 025 / 0654 1000		SAS-038 / 0654 2000		SAS-062 / 0654 3000
Mains frequency	Hz	50	60	50	60	50
Delivery volume at 0 bar (0 MPa)	l/min	20	23	26	28	50
Nominal pressure	bar / MPa	7 / 0,7	7 / 0,7	7 / 0,7	7 / 0,7	7 / 0,7
Maximum permissible operating pressure	bar / MPa	8 / 0,8	8 / 0,8	8 / 0,8	8 / 0,8	8 / 0,8
Voltage	V	230	230	230	230	230
Current consumption	A	1,0	1,2	1,5	1,5	2
Nennleistung	P1 (kW)	0,22	0,27	0,3	0,34	0,44
Speed	min ⁻¹	1400	1600	1300	1500	1390
Duty cycle	%	100	100	100	100	100
Mains fusing	A	2	2	2	2	2,5
Sound pressure level (at 7bar nominal pressure)	dB (A)	48	50	49	51	50
Weight	kg	15	15	17	17	21
Dimensions* (W x D x H)	mm	400 x 340 x 320	400 x 340 x 320	400 x 340 x 320	400 x 340 x 320	400 x 340 x 320

*Dimensions without quick-release coupling and hose nozzle.

3.2 Technical Data SAS 115 V

		SAS-038 / 0654 6000		SAS-062 / 0654 5000
Mains frequency	Hz	50	60	60
Delivery volume at 0 bar (0 MPa)	l/min	26	28	58
Nominal pressure	bar / MPa	7 / 0,7	7 / 0,7	7 / 0,7
Maximum permissible operating pressure	bar / MPa	8 / 0,8	8 / 0,8	8 / 0,8
Voltage	V	115	115	115
Current consumption	A	4,1	3,2	4,8
Rated power	P1 (kW)	0,31	0,33	0,53
Speed	min ⁻¹	1370	1630	1620
Duty cycle	%	100	100	100
Mains fusing	A	4	4	8
Sound pressure level (at 7bar nominal pressure)	dB (A)	51	52	53
Weight	kg	18	18	21
Dimensions* (B x T x H)	mm	400 x 340 x 320	400 x 340 x 320	400 x 340 x 320

*Dimensions without quick-release coupling and hose nozzle.



As our products are constantly being updated, there may be changes to the technical data. Should you use this operating manual for planning, please check the current technical data and dimensions with us.

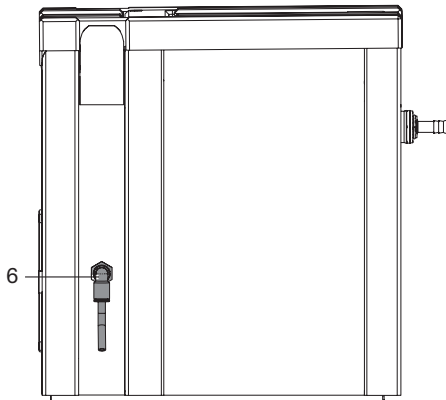
4 Transport

The unit has a transport handle. Alternatively, a transport trolley (0654 0550) is available as an accessory, which allows the user to transport the unit even more conveniently.



5 Setup

The unit must only be operated on a firm and level surface. It must not be used as a climbing aid (risk of breakage). The transport trolley is not designed for the unit to be operated on it. A drip pan must be placed underneath the black hose (6) at the side of the unit to collect any condensate that is blown out.



NOTICE

Do not cover the ventilation openings

The unit may overheat due to insufficient cooling

- › Do not cover the ventilation openings on the front and rear sides.
- › The front and rear sides of the unit must have a minimum clearance of 15 cm from other surfaces.

WARNING

Do not reach into the fan grille with your fingers or any objects

Risk of injury from fan blades.

6 Commissioning and first start-up

6.1 Establishing the electrical connections

- › Check that the voltage and mains frequency agrees with voltage specified on the type plate.
- › Connect the unit to a protective contact socket that has been properly installed.
- › Lay the cables so that they are protected from mechanical damage (e.g. from sharp edges, crushing or hot surfaces).
- › The unit's On/Off switch has an integrated contact breaker which switches off in the event of excess current.

6.2 Pressure reducer adjustment

WARNING

The surfaces of the compressor become hot during operation

Risk of burns from hot surfaces

- › Allow the compressor to cool down.
- › Do not touch hot surfaces.



The unit has been pre-set ex-works to an operating pressure of 5 bar. If a different operating pressure is necessary, make the adjustment using the pressure reducer.

- › Pull the snap fasteners for unlocking the cover slightly forward.
- › Open the cover.
- › Adjust the pressure reducer with the compressor running, as described in the Installation and Operating instructions "oil-free compressor stations".

6.3 Establishing the compressed air connection

The unit has a quick-release coupling (NW 7.2) on the outside. The hose nozzle to fit the connecting hose with inner diameter 9 mm is included in the scope of delivery.

7 Maintenance

7.1 Changing the filter



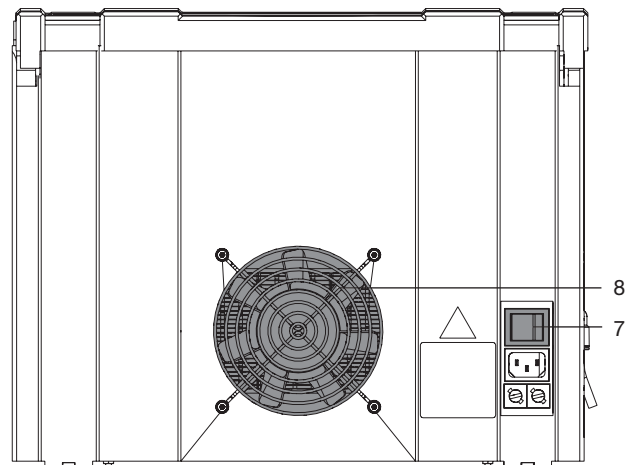
The interval for changing the filter inserts depends essentially on the concentration of dust in the air. Regular filter changes ensure service capability and a continuing supply for high-quality compressed air, and increase the service life of the compressor. We recommend that the air intake filter should be changed once a year (with high dust concentration twice a year)

- › Change the filter according to the Installation and Operating instructions "oil-free compressor stations".

Further information regarding operation and maintenance see: <http://www.duerr-technik.eu/silent-air-system.html>

7.2 Checking the fan

Check the fan (8) monthly for free running. If the fan is jammed, the unit must be taken out of operation. The fan always runs when the unit is switched on.



7.3 Cleaning

- Regularly check the ventilation openings on the front and rear of the unit for dirt. Clean them if necessary.
- Wipe the surface of the unit with a damp cloth. Cleaning agents may cause discolouration to the surface.