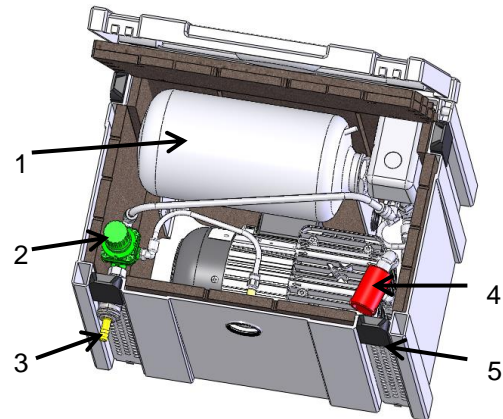


Supplementary sheet
For operating instructions
For compressor

0654100005
Oil-free compressor station
Silent Air System (SAS) with air gun
and sterile filter for endoscope drying



This supplementary sheet is a complement to the operating instructions "oil-free compressor stations" and contains all the information required to operate the unit safely and reliably. The operating instructions are only valid if your unit corresponds to the status described here.

Description of function

The **Silent Air System** (in future referred to as the "SAS") is a plug-in compressor station that is operated in an actively ventilated soundproofed housing. The SAS consists of:

- 3 litre vessel (1)
- Start unloader
- Fitting unit with safety valve, non-return valve and pressure switch
- Automatic condensate drain valve
- Pressure reducer (2) for setting the operating pressure
- Quick release coupling with socket (3)
- Fan (operates when the equipment is switched on)
- High-quality compressed air gun
- Sterile filter
- Standard set with various attachments for compressed air gun (accessory)

Transport

The SAS has a carry handle. Alternatively, the accessories include a trolley (0654 0550) (optional) which makes transporting the SAS more convenient for the user.

Setup

The unit may only be operated on a stable, even base. The box must not be used as a climbing aid. The trolley must not be used to hold the SAS when in operation.

A collection vessel must be placed beneath the black hose at the side of the SAS to collect any condensate that is blown out.



To guarantee a reliable cooling, the fan vents to the front and rear must not be covered. To prevent the unit overheating, there must be a minimum clearance of 15 cm to the front and to the rear.

Never put your finger or other objects through the fan vent. Risk of injury!

Commissioning

The unit is ready to plug in. It may only be connected to a shockproof socket that has been correctly installed. The on-off unit switch has an integrated fuse which switches the unit off in the event of over-current.



Only qualified electricians may work on electrical equipment.

Operation



The compressor's surfaces, particularly those of the cylinder heads, become hot when the unit is in operation. Never touch these hot surfaces; risk of burns!

The unit has been preset.

The box must be opened to set the operating pressure for the pressure reducer. To unlock the lid, the latches (5) are pulled forward slightly and then the lid can be lifted up. The pressure reducer is set with the compressor running. The process is described in section 3.5.1 of the operating instructions for "Oil-free compressor stations". When operated using the sterile filter, the pressure must not be set higher than 1 bar.

The fan is only switched off when the main switch to the rear of the unit is switched off.

Compressed air connection

There is a quick release coupling NW 7.2 on the outside of the box. The prefitted hose with sterile filter and gun are inserted into this quick release coupling.

Maintenance

Check regularly that the fan is not blocked. If the fan is blocked, the SAS must be shut down. The fan always runs when the unit is switched on.

The sterile filter is designed to operate for 7 hours after which it must be replaced. To do this, the hose is pulled off at both ends of the sterile filter and a new sterile filter (can be purchased from DT, see spare parts list in appendix 2) is inserted between the two ends of the hose in the specified through flow direction. The old filter can be disposed of with domestic waste.

The air intake filter (4) needs to be changed only once a year, if the surrounding conditions are clean. If the atmosphere is excessively dusty the air intake filter must be changed more often. How to change the air intake filter is described in the operating instruction „Oil-free compressor stations“.

Cleaning

To clean the surface of the box, only wipe with a damp cloth. The use of cleaning agents can cause discolouration of the surface.

Appendix 1: Technical data for SAS 38 with sterile filter and cleaning gun for drying endoscopes

Type	Art. no.	Air flow 0 bar l/min	Nominal pressure bar	Safety pressure bar	Noise level at 2 bar operating pressure dB(A)	Nominal data for motor							Dimensions* without condensate drain, hose and gun			
						Motor output P1(kW)	Current consumption A	Motor speed rpm	Voltage V	Frequency Hz	Fuse A	Weight kg	Height mm	Length mm	Width mm	Protection class IP
						0.3 0.34	1.5 1.5	1300 1500	230	50 60	2	18.9	320	400	300	20
SAS 38	0654 4000	26	1	8	45	0.3 0.34	1.5 1.5	1300 1500	230	50 60	2	18.9	320	400	300	20

- * WARNING: The unit requires more space because a minimum distance from the wall must be maintained to guarantee adequate ventilation
- The SAS 38 is designed for S1 operation = 100% duty cycle.
- Safety pressure = max. permissible pressure, pressure at which the safety valve opens

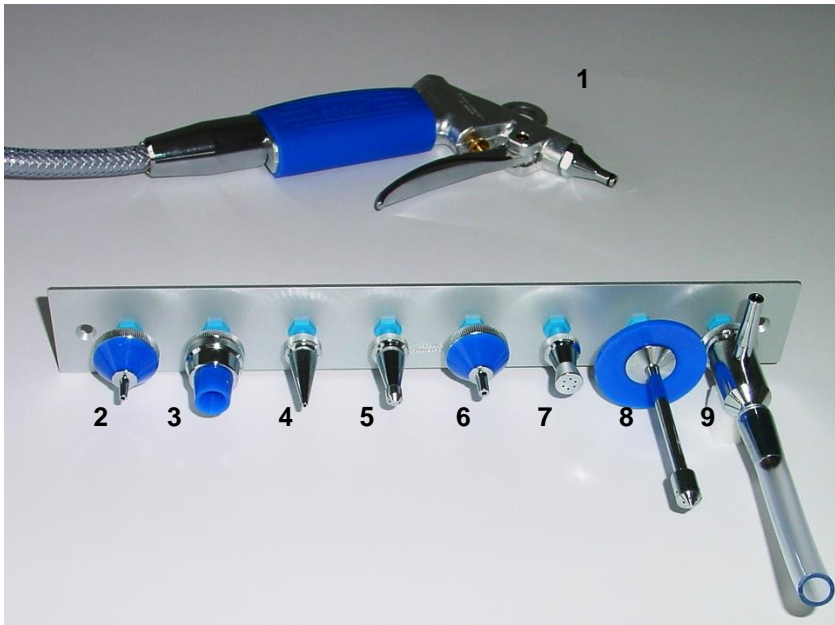


Since our products are subject to continual improvement, changes may be made to the technical data. If you are using these operating instructions for planning purposes, please contact us to re-verify the current technical data and dimensions.

Appendix 2: Spare parts



The spare parts list does not list all the spare parts for the SAS specifically. If you have any queries or wish to order spare parts, please contact us on phone no. +49 (0)71 42 / 90 22-0



Item no.	Spare parts list Accessories	Article No.
1	Cleaning gun with PVC hose	0654 0720
2	Nozzle for syringes and cannulas with Record cone	0654 0711
3	Nozzle for measuring and blood pipettes	0654 0712
4	Nozzle for catheters, valves, etc.	0654 0713
5	Nozzle for drainage hoses	0654 0714
6	Nozzle for syringes and cannulas with Luer cone	0654 0715
7	Spray jet for rinsing out glassware etc.	0654 0716
8	Nozzle for bottles and Erlenmeyer flasks	0654 0717
9	Water jet pump for suction cleaning of corners and hollow spaces	0654 0718
10	Sterile filter	0654 0800
11	Air intake filter	0837-001-00